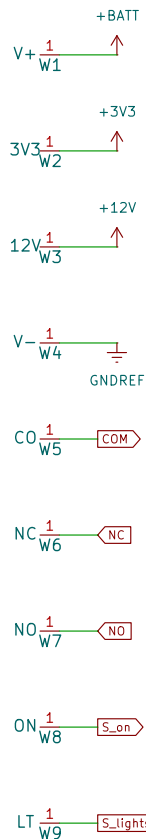
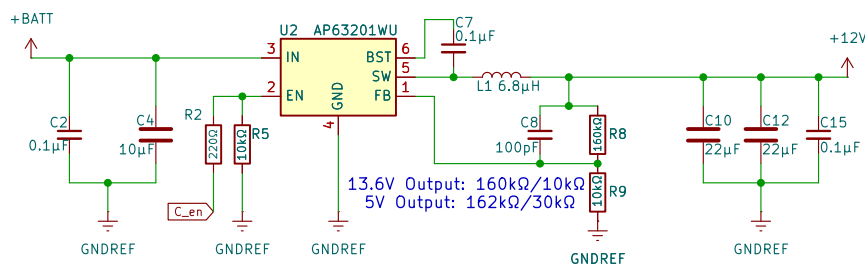
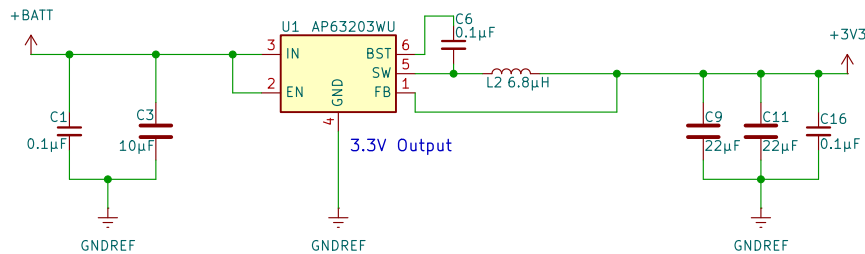


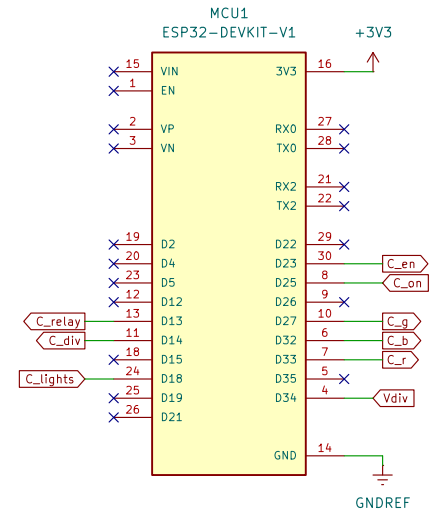
I/O



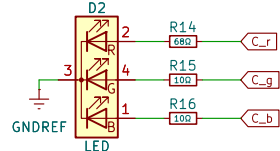
Voltage Regulation



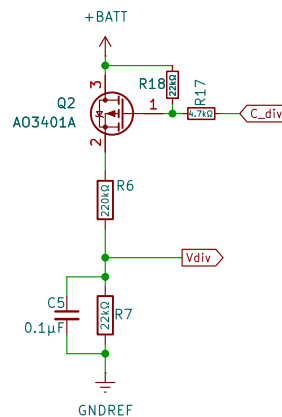
Processor



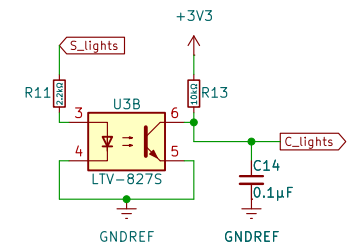
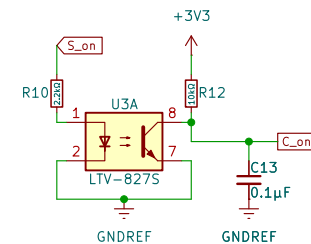
Status LED



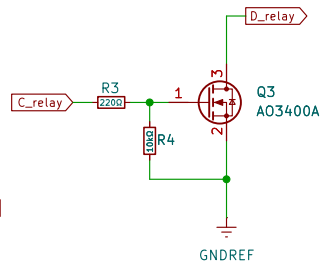
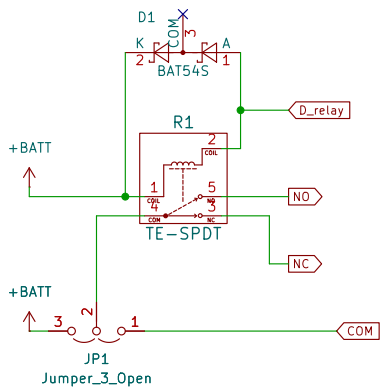
Voltage Divider



Optocouplers



Relay



Sheet: /
File: ESPDrive.kicad_sch

Title:

Size: A4 Date:
KiCad E.D.A. 10.0.1

Rev:
Id: 1/1