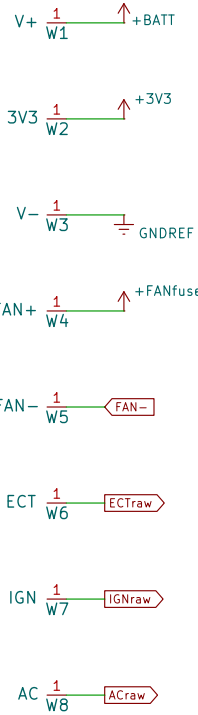
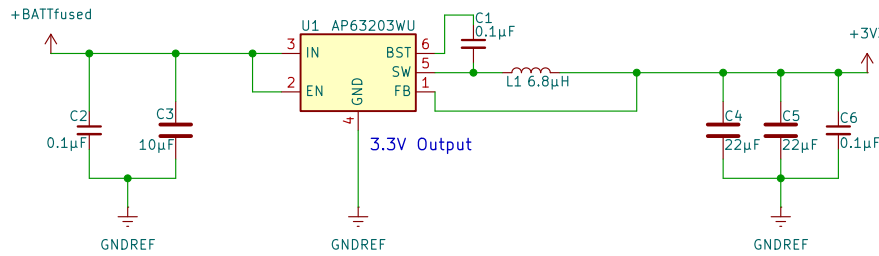


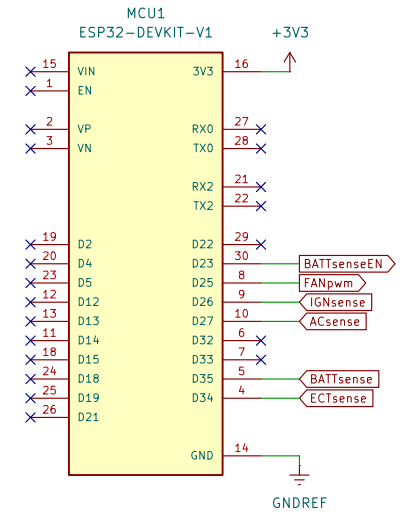
Wires



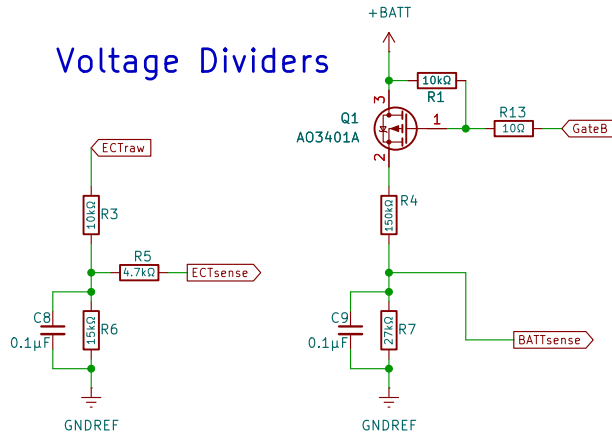
Voltage Regulation



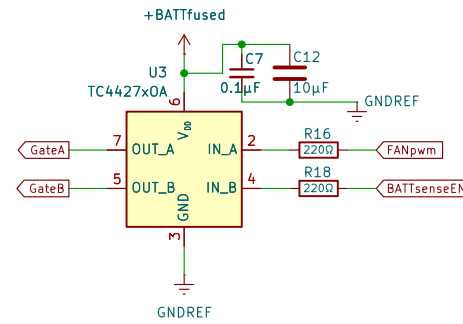
Processor



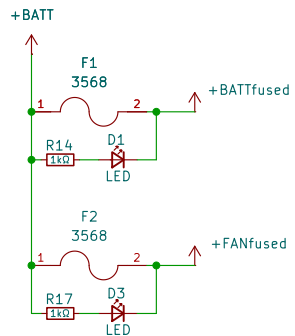
Voltage Dividers



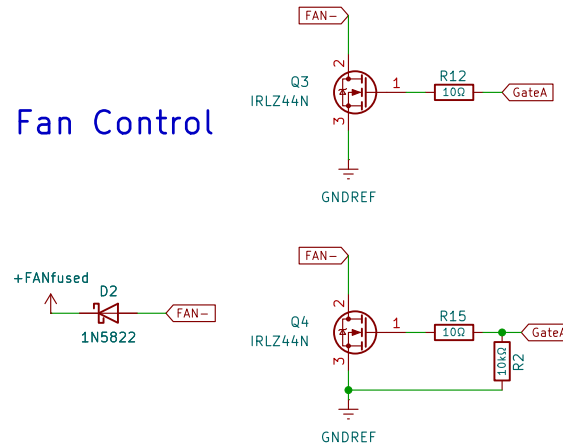
Gate Driver



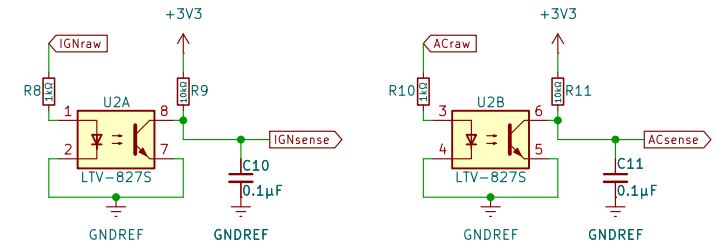
Fuses



Fan Control



Optocouplers



Sheet: /
File: ESPRadiator.kicad_sch

Title:

Size: A4 Date:
KiCad E.D.A. 10.0.1

Rev:
Id: 1/1